

FAG

3211-BD-XL-TVH

Angular contact ball bearing

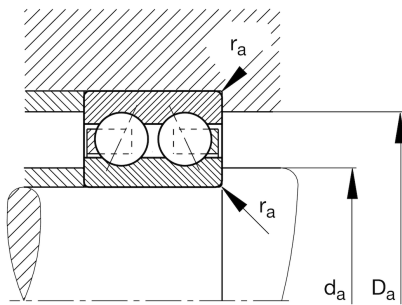
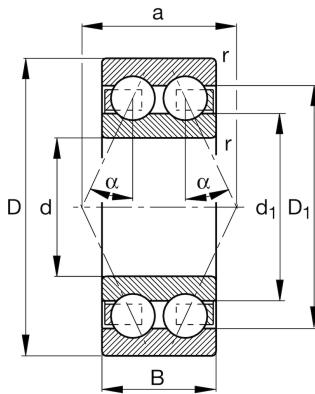
Schaeffler ID:
0631436820000

Angular contact ball bearing 32..-BD-XL-TVH, double row, X-life, plastic cage



X-life

Technical information



Main Dimensions & Performance Data

d	55 mm	Bore diameter
D	100 mm	Outside diameter
B	33.3 mm	Width
C_r	61,000 N	Basic dynamic load rating, radial
C_{0r}	51,000 N	Basic static load rating, radial
C_{ur}	3,550 N	Fatigue load limit, radial
n_G	7,100 1/min	Limiting speed
n_{gr}	7,200 1/min	Reference speed
	0.93 kg	Weight

Mounting dimensions

$d_{a \min}$	64 mm	Minimum diameter shaft shoulder
$D_{a \max}$	91 mm	Maximum diameter of housing shoulder
$r_{a \max}$	1.5 mm	Maximum fillet radius

Dimensions

r_{\min}	1.5 mm	Minimum chamfer dimension
D_1	87.8 mm	Shoulder diameter outer ring
d_1	71.6 mm	Shoulder diameter inner ring
a	58.4 mm	Distance between the apexes of the pressure cones
α	30 °	Contact angle

Temperature range

T_{\min}	-30 °C	Operating temperature min.
T_{\max}	120 °C	Operating temperature max.